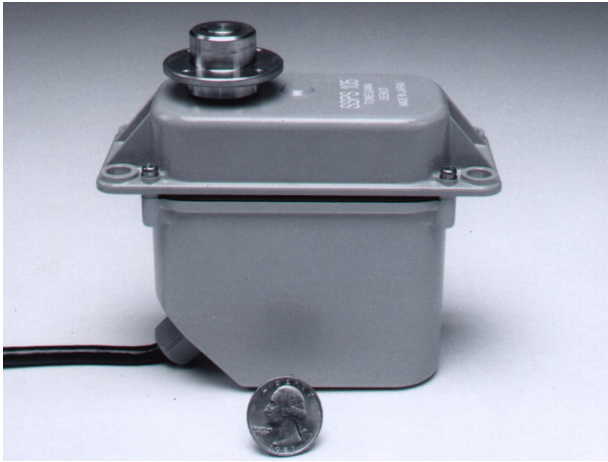




# SSPS-105 TONE SERVO HEAVY DUTY PROFESSIONAL SERIES



## Applications

- Animatronics
- R.P.V.s / U.A.V.s
- Special effects
- Remote motion
- Robotics

## Features

- Aluminum case
- Heavy duty gears
- Stainless steel shaft
- Water resistant
- Hobby type R/C input

## General

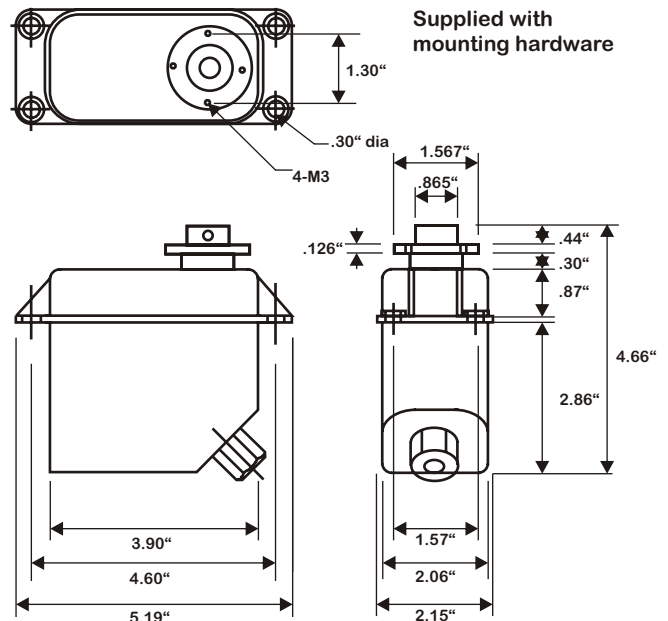
A precision electro-mechanical servo for radio control applications with requirements exceeding those of recreational hobby servos. The "muscle" servo for RPV, UAV projects, industrial and special effects robotics. Ruggedly designed and built for hostile environments and performance-critical applications.

## Specifications

Voltage	12 ±2 vdc @ 9 A peak .035A idle 26 ±2 vdc @ 5 A peak .030A idle
Travel	Std. ±45° (Optional ±90°; ±180°; +\$20.00)
Signal input	Standard R/C PWM +5V 1.5ms ±400 µsec neutral
Linearity	± 1% @ full deflection
Deadband	5 µsec.
Speed (no load)	Std. Speed 0.6 sec/60° High Speed 0.3 sec/60° (+\$20.00)
Starting Torque	27.5 ft/lb, 5000 oz/in
Holding Torque	845 oz/in intermittent
Durability(MTBF)	250,000 cycles, load 400 oz/in., @50% Duty cycle
Cable	3 wire w/shielded signal lead & opto isolator 1m length
Connector	3-wire R/C receiver plug (RED=+5; BROWN=GND.; ORG.= SIGNAL)
Housing	Aluminum
Weight	27.5 oz
Operating temp.	-10°C to + 80°C

Suggested fuses  
 12vdc use 7 amp  
 26vdc use 4 amp

Note: With **High Speed** option, double the speed and reduce the torque by ½.



### Ordering Information

12VDC- SSPS-105 12V ± \_\_\_ ° STD. or H.S.  
 24VDC- SSPS-105 24V ± \_\_\_ ° STD. or H.S.

Cycle life of actuator could vary depending on operating conditions. Tolerances are ± 5%.  
 Not intended for medical use. Specification may change without notice. Rated load @ 50% duty cycle.

7-26-07