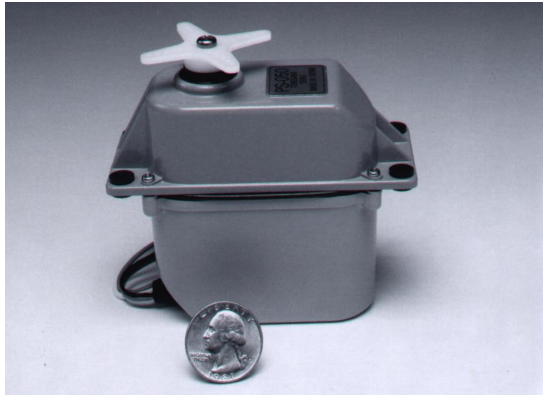


Official Distributor for Tonegawa Seiko Servos

We now offer High Performance Models.
 Only from CK Design Tech. Call for details.



Applications

- Animatronics
- R.P.V.s
- Special effects
- Remote motion
- Robotics

Features

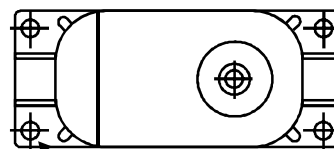
- Aluminum case
- Heavy duty gears
- RC Ready
- Moisture-proof
- RFI/EMI Shielded

General

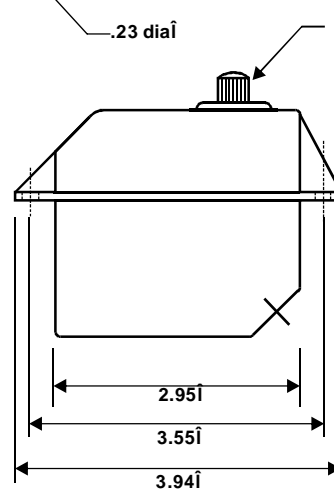
A precision electro-mechanical servo for radio control applications with requirements exceeding those of recreational hobby servos. The \hat{I} muscle \hat{I} servo for RPV, UAV projects, industrial and special effects robotics. Ruggedly designed and built for hostile environments and performance-critical applications.

Specifications

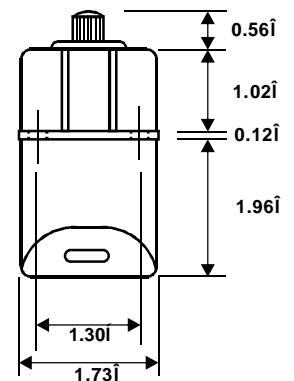
Voltage	4.8 - 9.0 V - not shared w/ receiver. 12 V OK with light duty cycle.
Suggest fuse	2 amp fast blow
Current:	Tested @ 6.0 V-Suggested Voltage
Idle	8 mA
Running	350 mA (no load)
Stall	4.5 A
Start torque	486 oz/in.
Hold torque	7.5 lbf/in. 100% Duty Cycle @25°C
Speed	0.29 Sec/60° (no load)
Input Signal	Standard R/C PWM 3-5 V neutral 1.51 mS +/- 600 μS.
Travel	$\pm 60^\circ$
Operating temp.	-10° C to +80° C
Weight	10 oz.
Cables	3-wire R/C receiver plug (input) <small>(RED=+5; BROWN=GND.; ORG.=SIGNAL.)</small> 2-wire 18 awg pig tail (pwr/supply) <small>(RED=POSITIVE VDC; WHITE=POWER GND.)</small>



Supplied with 4 types of output arms and shock absorbing mounting hardware.



36 splines for 10° mount increments



Cycle life of actuator could vary depending on operating conditions. Tolerances are $\pm 5\%$.
 Not intended for medical use. Specification may change without notice. Rated load @ 50% duty cycle.